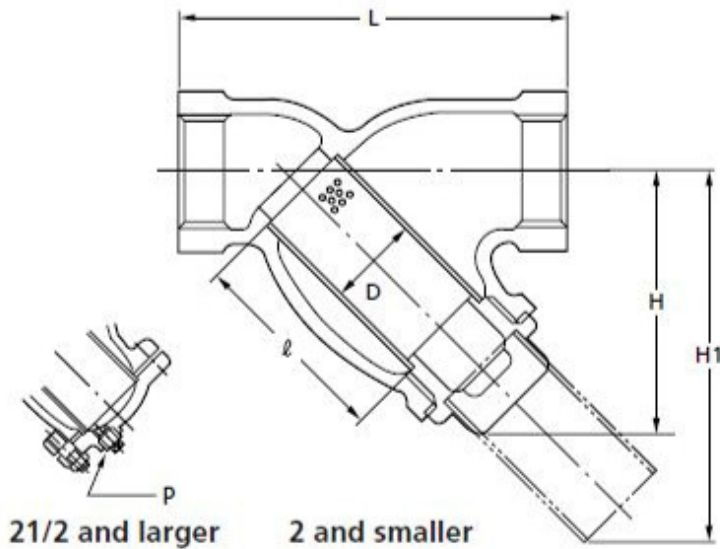


20K

Y-PATTERN STRAINER

Pressure-Temperature Rating: 2.0MPa: 180°C



Parts	UY	UYM
Body	SCS13A	SCS14A
Cover	SUS304/SCS13A	SUS316/SCS14A
Gasket	Ceramic filled PTFE	
Screen	SUS304	SUS316
Cover bolt/nut*	SUS304/304	
Plug*	SUS304	SUS316

For size 2 1/2 and larger.

Note: Screen is a 40-mesh stainless wire net reinforced with SUS304/316.

Face-to-Face Dimensions: KITZ Std.
 End Thread Dimensions: JIS B0203
 Wall Thickness: KITZ Std.

Unit:mm

Nominal Size	1/4	3/8	1/2	3/4	1	1 1/4	1 1/2	2	2 1/2	3
L	65	70	85	100	115	135	150	180	220	250
H	50	50	60	65	77	90	100	115	150	193
H1	67	68	80	90	107	128	140	165	215	267
D	15	15	18	23	30	39	46	58	72	86
l	36	36	43	48	58	69	75	90	120	150
P	—	—	—	—	—	—	—	—	Rc1/2	Rc1/2

UY

UYM