

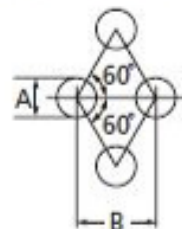
16K Y-Pattern Strainer

16FDYB

B.C. or S. C.
RF-flanged

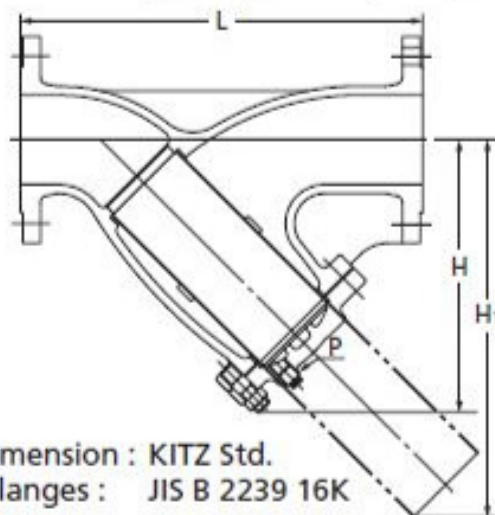


B.C. for 2" & larger
S.C. for 1 1/2" & smaller

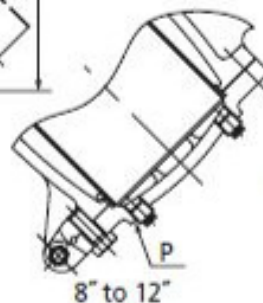
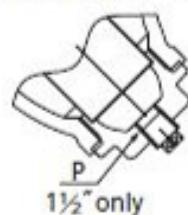


Screen Hole Size

Valve Size	A	B
1/2" to 2"	1.4	2.4
2 1/2" to 5"	1.5	2.5
6" to 8"	3	5
10" to 12"	5	7



F-F dimension : KITZ Std.
End flanges : JIS B 2239 16K



120°C Static water..... 2.16MPa
220°C Steam, air, gas, oil..... 1.96MPa
300°C Steam, air, gas, oil..... 1.77MPa
350°C Steam, air, gas, oil..... 1.57MPa
(1/2" ~ 1 1/2" : 260°C..... 1.86MPa

- Use for lubricating or hydraulic oil is acceptable. Contact KITZ Corporation for technical advice, if valves are used as heat transfer media.
- Employment of copper cap prohibits use of this valve for ammonia or amine chemicals.
- A gasket will be used for sealing the plug for application to high temperature exceeding 260°C. Specify your service temperature in advance. Ensure replacement of plug gaskets on your valve maintenance.

Materials

Parts	JIS material
Body	FCD-5
Cap (1/2" ~ 1 1/2")	C3771BE
Cover (2" ~ 12")	FCD-5
Gasket	Asbestos-free
Screen	SUS 304
Cover bolt	S45C (8" ~ 12" : SUS 304)
Plug*	SUS 304

* 2 drain plugs will be provided for 8" & larger sizes.

Dimensions

Size	mm														
	inch	15	20	25	32	40	50	65	80	100	125	150	200	250	300
		1/2	3/4	1	1 1/4	1 1/2	2	2 1/2	3	4	5	6	8	10	12
L		125	140	150	170	190	250	305	360	415	465	515	580	680	800
H		57	63	77	90	100	168	212	242	284	325	370	462	536	625
P		—	—	—	—	Rc ^{3/8}	Rc ^{1/4}	Rc ^{1/4}	Rc ^{1/4}	Rc ^{3/4}	Rc ^{3/4}	Rc ^{3/4}	Rc ^{3/4}	Rc ^{3/4}	Rc ^{3/4}
H1		82	91	114	134	146	218	285	340	391	450	502	645	757	882

NOTE : For flange dimensions refer to Page 40.