

CLASS 125

IRON SWING CHECK VALVE

Bolted cover, swing type disc

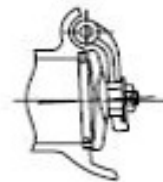
200psi. Water, oil, gas 65°C
125psi. Saturated steam

Fig. 125FCO

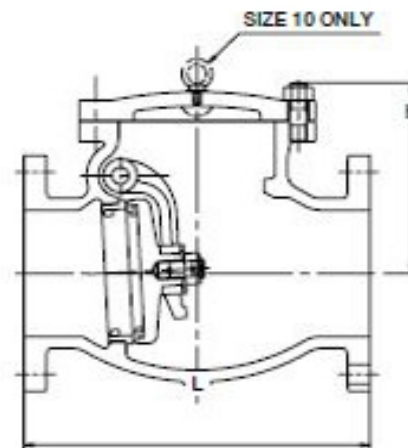
- Bronze trim

Fig. 125FCOS

- Stainless steel trim (13 Cr.)



SIZE 4 & LARGER



Materials

Parts	Material	ASTM Spec.	
		125FCO	125FCOS
Body	Cast Iron	A126 CL. B	
Cover	Cast Iron	A126 CL. B	
Hinge pin	Brass/Stainless Steel	B124 C37700	A276 Type40
Disc	2 to 4	Bronze/Stainless Steel	B62
	5 & larger	Cast Iron	A126 CL. B
Disc seat ring	Bronze/Stainless Steel	B62	A182 Gr.F6
Body seat ring	Bronze/Stainless Steel	B62	A182 Gr.F6
Arm	Stainless Steel	A351 Gr.CF8	
Gasket	Asbestos-free		
Cover bolt/nut	Carbon Steel		

Design Specifications

Items	
Shell wall thickness and general valve design	KITZ Standard
Face-to-face dimensions End-to-end dimensions	ASME B16.10 Class 12
End flange dimensions Gasket contact facing	ASME B16.1 Class 125

Dimensions

Valve Size	inch	2	2½	3	4	5	6	8	10
	mm	50	65	80	100	125	150	200	250
L Face-to-face		203	216	241	292	330	356	495	622
H Height (OPEN)		111	121	145	165	207	225	268	315