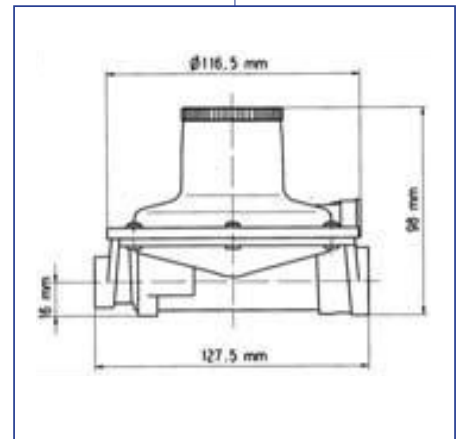


## BP2210 - BP2210/OPSO

### Application



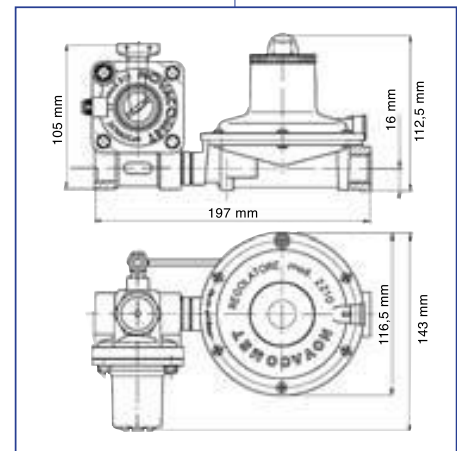
- Mainly used for LPG, can also be used for NG, nitrogen and air.
- These products with fixed or adjustable outlet pressure are used in applications up to 12 kg/h (570 kBTU/hr) maximum.
- They are intended to be used as:
  - Second stage regulators in domestic or commercial installations (tanks or cylinders).
  - Single stage regulators in domestic or commercial installations (cylinders).
- The vent hole can be connected with a tube.
- Certain models integrate an UPSO (Under Pressure Shut Off) safety device.



000900

### Construction

- Body and cover: die cast aluminium alloy
- Diaphragm: NBR or reinforced NBR (NBR-R) synthetic rubber
- Valve pad: NBR or FPM synthetic rubber
- Minimum working temperature: -4°F / -20°C
- Maximum working temperature: +140°F / +60°C

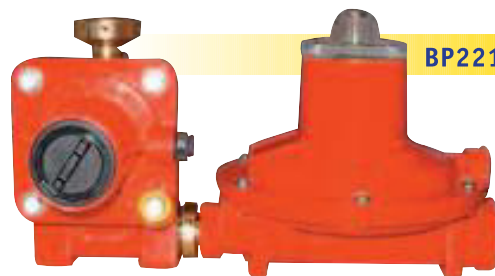


006825



**BP2210**

000900



**BP2210/OPSO**

006825

Code	Inlet code	Inlet connection	Outlet code	Outlet connection	Inlet pressure (Pe)		Outlet pressure (Pa)		Flow rate (LPG)		PRV (type)	Vent (Position-Connection)	UPSO	FILTER	PAD material	Diaphragm material
					bar	psig	mbar	"wc	Kg/h	kBTU/hr						
<b>BP2210</b>																
000980AB	F3B	FEM-Rc1/4	F2D	FEM-Rp1/2	0,5±2	7±29	30(25±45)	12(10±18)	10	475	LRV	6h-tube ø6	Y	-	NBR	NBR
000978AX	F5B	FEM-1/4NPT	F5D	FEM-1/2NPT	0,5±4	7±58	30(25±45)	12(10±18)	10	475	LRV	0h-tube ø6	-	-	NBR	NBR
000982C2	N6A	NUT-M20x1,5RH	E6B	MAL-M20x1,5RH	0,5±1,75	7±25	148	2 psig	10	475	-	0h-tube ø6	Y	-	NBR	NBR
000900	F3B	FEM-Rc1/4	F2D	FEM-Rp1/2	0,5±4	7±58	30(25±45)	12(10±18)	12	570	LRV	0h-tube ø6	-	-	NBR	NBR
000980	F3B	FEM-Rc1/4	F2D	FEM-Rp1/2	0,5±2	7±29	30(25±45)	12(10±18)	10	475	LRV	0h-tube ø6	Y	-	NBR	NBR
000918MX	F5B	FEM-1/4NPT	F2D	FEM-Rp1/2	0,5±11	7±160	37(33±45)	15(13±18)	12	570	LRV	0h-tube ø6	-	-	FPM	NBR
000917MX	F5B	FEM-1/4NPT	F2D	FEM-Rp1/2	0,5±11	7±160	67(40±100)	27(16±40)	12	570	LRV	0h-tube ø6	-	-	FPM	NBR
000950	F2D	FEM-Rp1/2	F2D	FEM-Rp1/2	0,5±7,5	7±110	30(25±45)	12(10±18)	12	570	LRV	0h-tube ø6	-	-	NBR	NBR
000974	N6A	NUT-M20x1,5RH	E6B	MAL-M20x1,5	0,5±4	7±58	37(33±45)	15(13±18)	12	570	LRV	0h-tube ø6	-	Y	NBR	NBR
000975	N6A	NUT-M20x1,5RH	E6B	MAL-M20x1,5	0,5±4	7±58	50(40±100)	20(16±40)	12	570	LRV	0h-tube ø6	-	Y	NBR	NBR
000930	N1A	NUT-W20LH-25-UNI	F2D	FEM-Rp1/2	0,5±4	7±58	30(25±45)	12(10±18)	12	570	LRV	0h-tube ø6	-	Y	NBR	NBR
000982	N6A	NUT-M20x1,5RH	E6B	MAL-M20x1,5	0,5±1,75	7±25	37(33±45)	15(13±18)	10	475	-	0h-tube ø6	Y	-	NBR	NBR
<b>BP2210/OPSO</b>																
006820	F2D	FEM-Rp1/2	F2D	FEM-Rp1/2	0,5±4	7±58	30(25±45)	12(10±18)	12	570	LRV	0h-tube ø6	-	-	NBR	NBR
006825	F2D	FEM-Rp1/2	F2D	FEM-Rp1/2	0,5±4	7±58	30(25±45)	12(10±18)	10	475	LRV	0h-tube ø6	Y	-	NBR	NBR
006826AA	F2D	FEM-Rp1/2	F2D	FEM-Rp1/2	0,6±4	8±58	37	15	10	475	LRV	6h-tube ø6	Y	-	NBR	NBR-R
006826AB	F2D	FEM-Rp1/2	F3E	FEM-Rc3/4	0,6±4	8±58	37	15	10	475	LRV	8h-tube ø6	Y	-	NBR	NBR-R