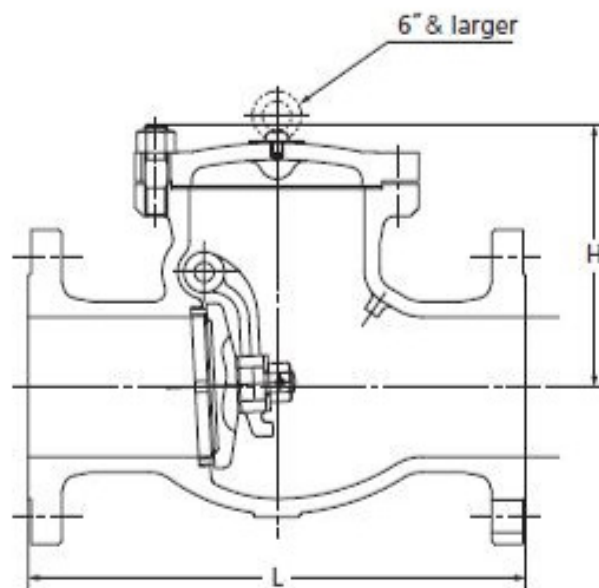


20K Swing Check Valve

20SOB

B.C.

RF-flanged



F-F dimension : JIS B 2002
End flanges : JIS B 2239 20K

120°C Static water..... 2.75MPa
220°C Steam, air, gas, oil..... 2.45MPa
300°C Steam, air, gas, oil..... 2.26MPa
350°C Steam, air, gas, oil..... 1.96MPa

Materials

Parts	JIS material
Body	FCD-S
Cover	FCD-S
Disc	SUS 403 (8"~12" : SCPH2+13Cr)
Disc nut	SS 400 (5"~12" : SUS304)
Body seat ring	SUS 403 (2"~4" : SCS1)
Arm	SCS13A (5"~12" : SFVC2A or SCPH2)
Hinge pin	SUS 403
Split pin	SUS 304
Plug	SS 400
Washer	SS 400
Gasket	Asbestos-free
Cover bolt / nut	S45C

Dimensions

Size	mm									
	mm inch	50	65	80	100	125	150	200	250	300
L		267	292	318	356	400	444	533	622	711
H		135	145	160	185	220	240	275	335	370

NOTE : For flange dimensions refer to Page 40.